

RK300-01 Wall-mounted Barometric Pressure Sensor with small size, reliable performance, high precision, long transmission distance, strong anti-jamming capability, which is widely used in meteorology, marine, environment, airports, ports, laboratory, agricultural and transportation and other fields.

## FEATURES

- High Sensitivity
- Low temperature Drift
- LCD display optional
- Light construction
- Internal auto compensation
- Temperature compensation



Without display

With display

## APPLICATIONS

- Environmental monitoring
- Livestock farm
- Storage
- Wind resource assessment
- Greenhouse
- Agriculture

## TECHNICAL SPECIFICATION

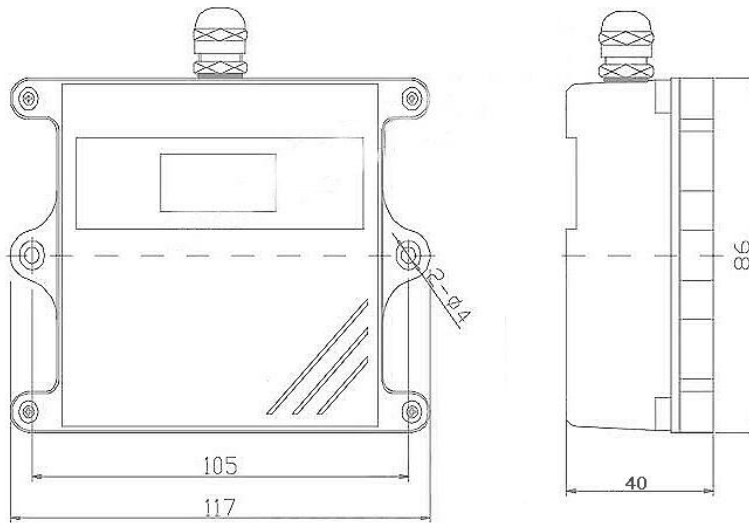
Item	Technical Specification
Range	600-1100hPa(mbar)
Resolution	0.1hPa
Accuracy	±0.5hPa
Temperature Drift	≤0.02%FS/°C
Response Time	<1s
Supply	5VDC, 12-24VDC
Output Signal	RS485, 4-20mA, 0-5V, 0-10V optional
Operating Temperature	-40°C~+75°C
Ingress Protection	IP65
Storage	10-60°C @20%-90%RH
Dimensions	117 *86*40 mm
Weight(unpacked)	100g

## MOUNTING

1. Install the product in stable environment area, avoid direct sunlight, away from windows air-conditioning, heating and other equipment. Otherwise it will cause atmospheric pressure measurement inaccuracies.
2. It is recommended to install in the cabinet open to the atmosphere, for example: instrument shelter

## DIMENSION


Unit:mm



## PARAMETER SELECTION TABLE

Remark	Series	Type	Supply	Range	Output	Cable Length	
RK							
	300						
		01					
			A				5V
			B				12-24V(typ.)
			X				Other
				A			600-1100hPa
				X			Other
					A		4-20mA
					B		0-5V
					C		0-10V
					D		RS485
					X		Other
						2000	Units:mm (typ)
						3000	Units:mm
						...	Units:mm

Example: RK300-01BAD2000 Supply:12-24V, Range:600-1100hPa Output:RS485 Cable Length:2m.


 Complies with applicable CE directives.

Specifications subject to change without notice. Version 3.0

Copyright © 2015 Hunan Rika Electronic Technology Co.,Ltd

**Hunan Rika Electronic Technology Co., Ltd**

Add:No 499# of Yingxin Road,  
Yuhua District,Changsha,  
Hunan,China

 +86-731-85132979

 info@rikasensor.com

 www.rikasensor.com.cn